

FORM-TEST
PRÜFSYSTEME

Test systems for material testing

Professional solutions
for all applications



INTRODUCTION

FORM+TEST[®]
P R Ü F S Y S T E M E

03.11.2014

Agenda:

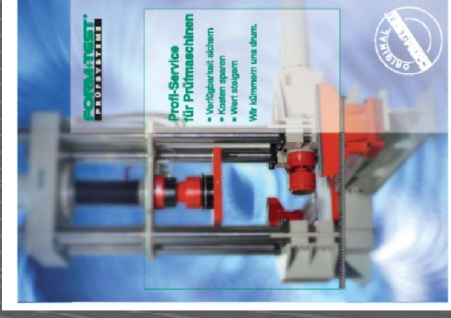
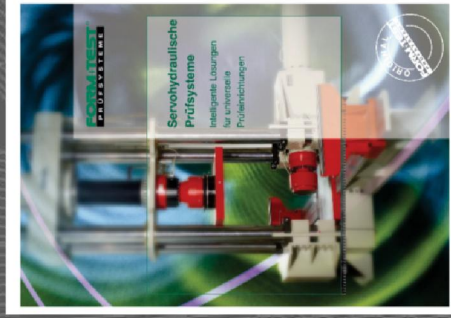
- 1) Welcome and Introduction
- 2) Building Material Testing
- 3) Examples of skills
- 4) Questions and other points

1) Welcome and Introduction

1.1 FORM+TEST ⇨ Facts & Figures

- Foundation: 1981 (before Fa. Seidner) – 5 Companions
- Turnover: 22 Mio. € / year
- Employee: ca. 80 – low fluctuation –
own education of the workers – homogeneous age structure
- Investments: 3 company shares (Building material testing / Control engineering)

1.2 Presentation Brochures



1.3 Presentation Company Video



1.4 FORM+TEST ⇨ General

- Own development & production leads to products up to date with high durability
- High vertical range of manufacture – competitive prices with a high level quality and quick turnaround times
- High flexibility and extensive know-how of the employees
- Adapting solutions & products to customer requirements leads to a high customer value
- Order-related production in single production or small series

2) Building Material Testing

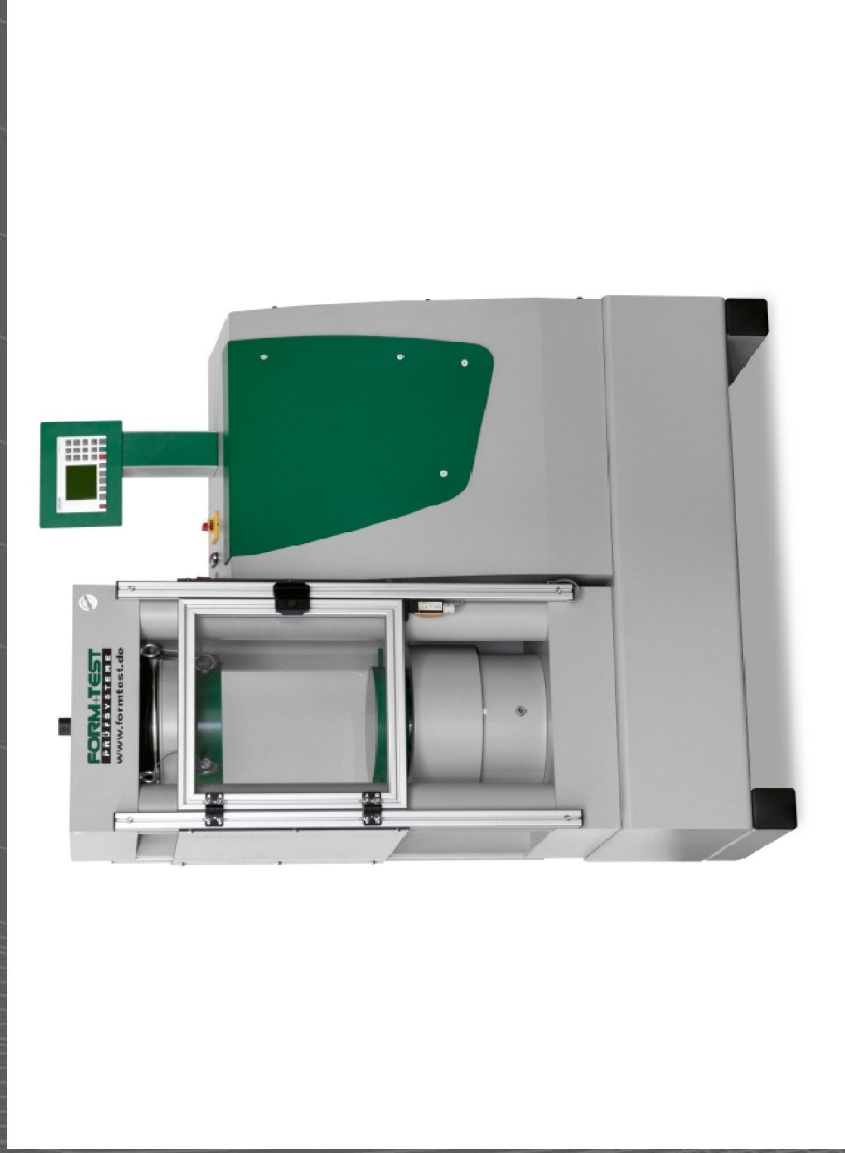
2.1 Testing Equipment for Building Material Testing

- Testing Machines
- Devices and Accessories
- Digital Control Systems and Software
- Laboratory Apparatus
- Laboratory Furniture
- Service

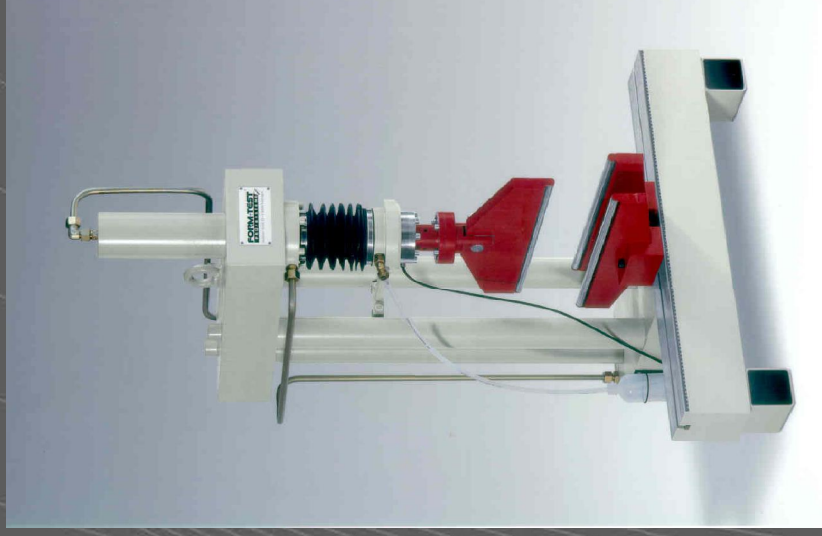
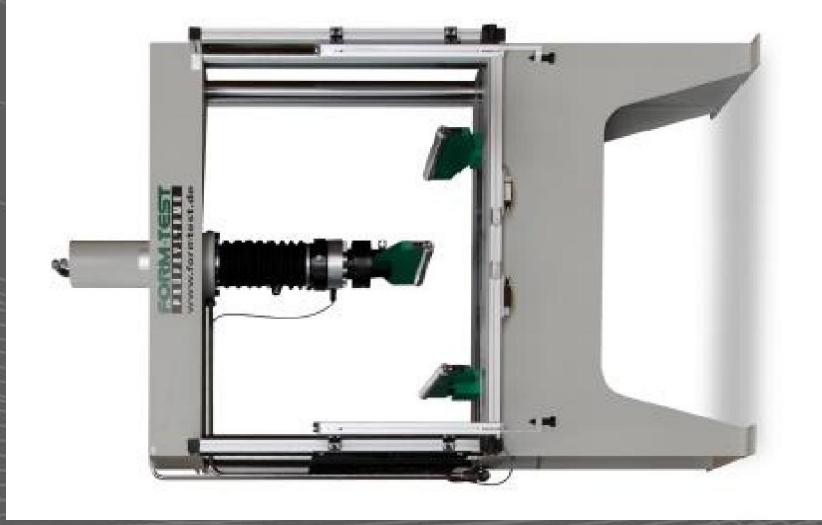
2.2 Testing Machines

- Compression Testing Machines
- Bending Testing Machines
- Combined compression/bending testing machines
- Sleeper testing machines
- Material testing machines
- Universal testing machines
- Special testing machines
- System components

Compression Testing Machines



Bending Testing Machines



Combined compression/bending testing machines

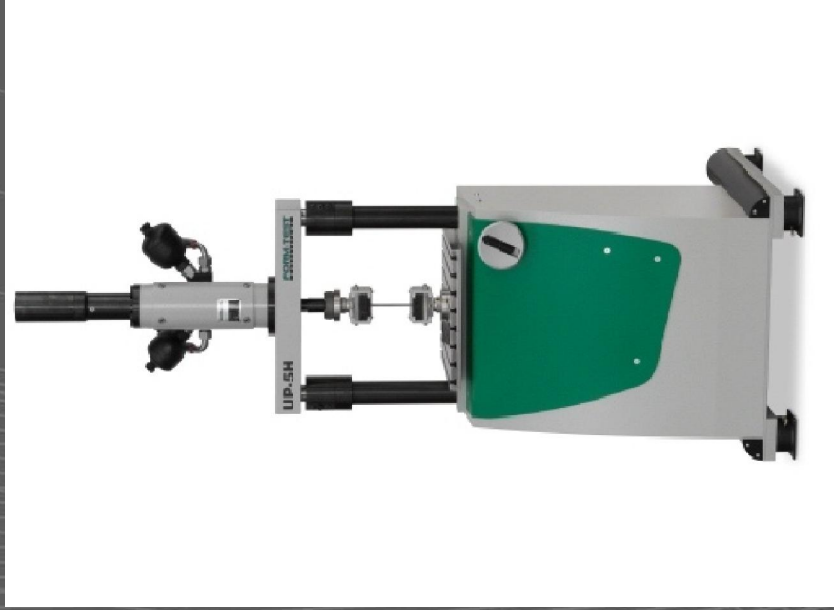


Sleeper testing machines



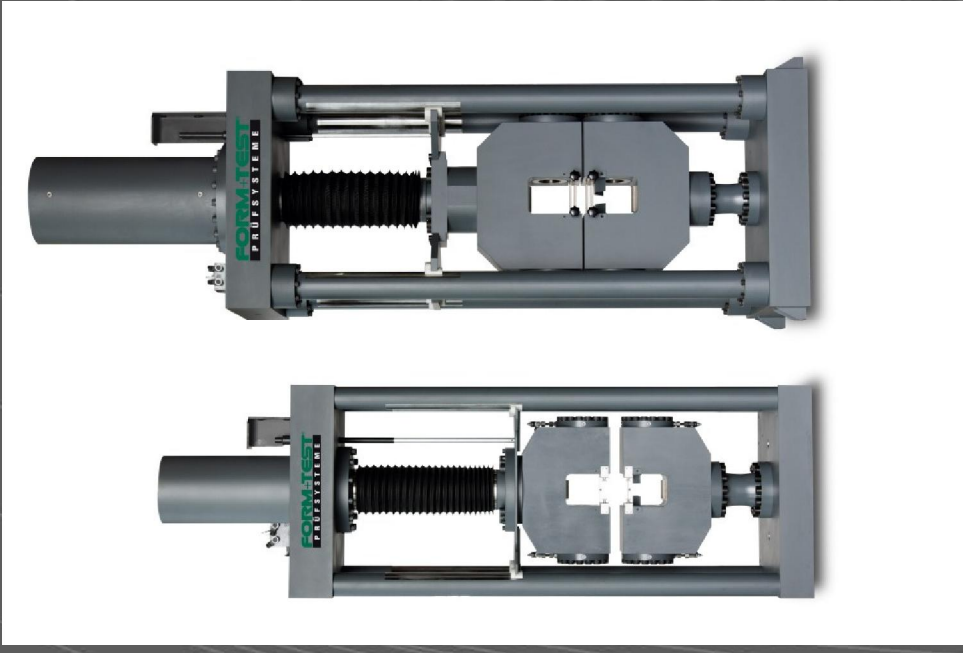
Material testing machines

FORM+TEST®
PRÜFSYSTEME



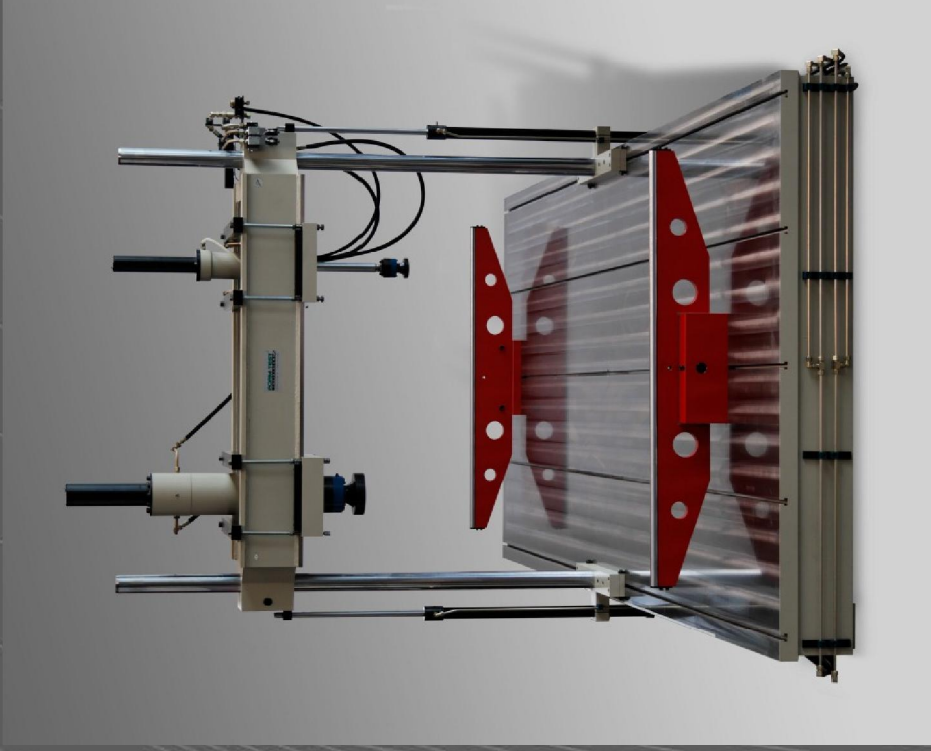
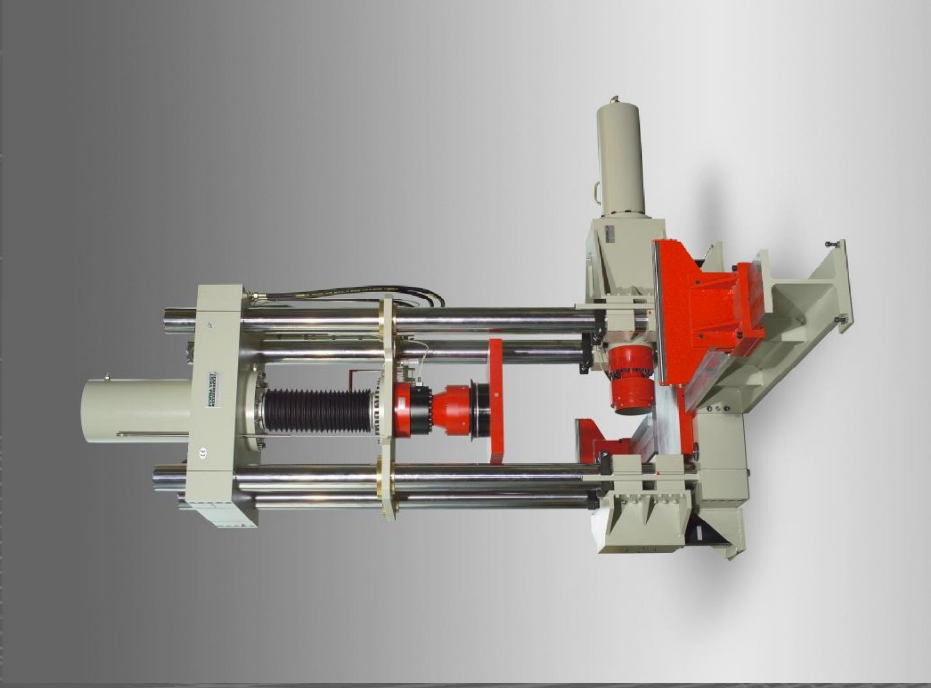
Universal testing machines

FORM+TEST®
PRÜFSYSTEME



Special testing machines

FORM+TEST®
PRÜFSYSTEME



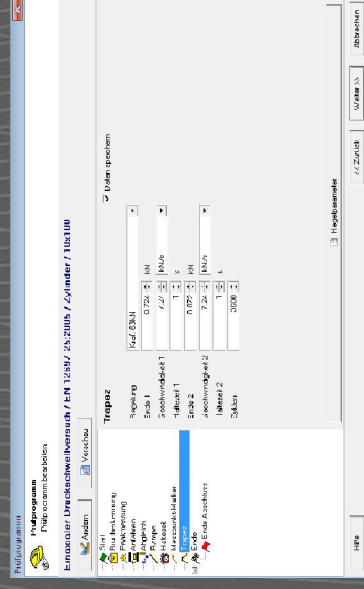
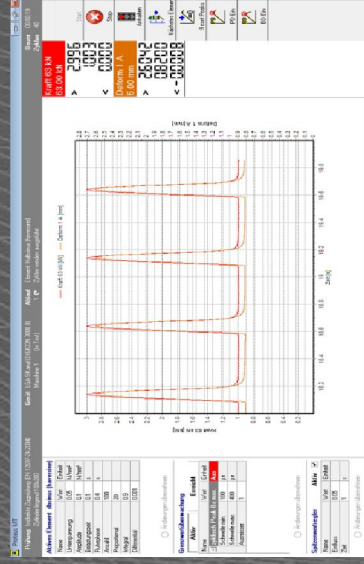
System components



2.2 Devices and Accessories



2.3 Digital Control Systems and Software



2.4 Laboratory Apparatus



Some Examples



Electric vibrating table



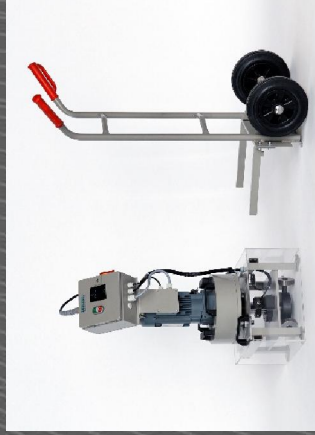
Water penetration test



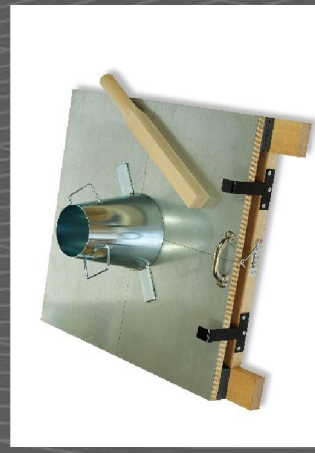
Climatic box



Abrasion machine „Böhme“



Abrasion tester „BCA“

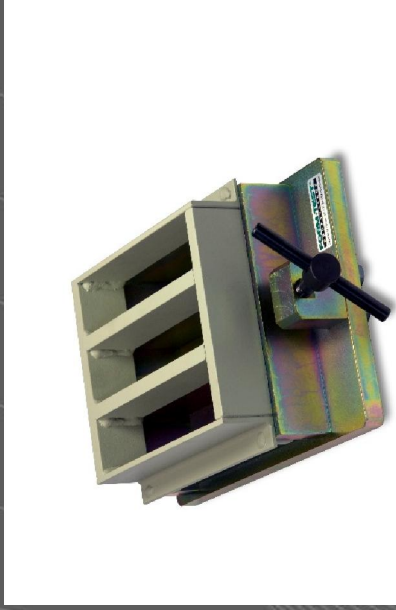


Flow table complete

Some Examples



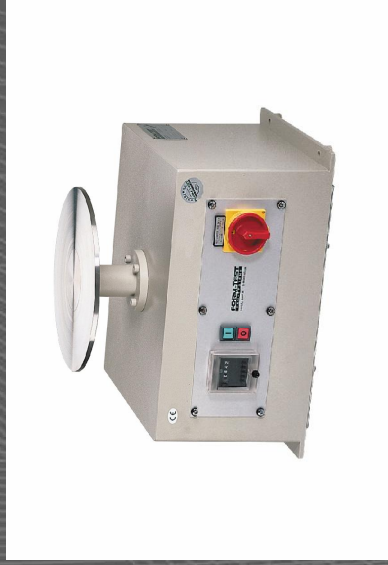
Air entrainment meter



Three-gang-mould



Mortar mixer



Haegermann flow table



Jolting table

2.5 Laboratory Furniture



2.6 Service

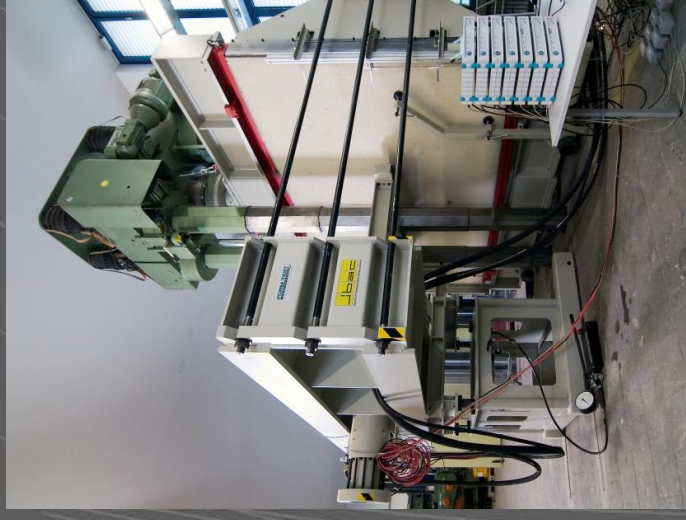
- Effectiveness & flexibility in service worldwide
- Willingness of service engineers for flexibel use
- Know-How with outside made products



3) Examples of skills

3.1 Some Examples

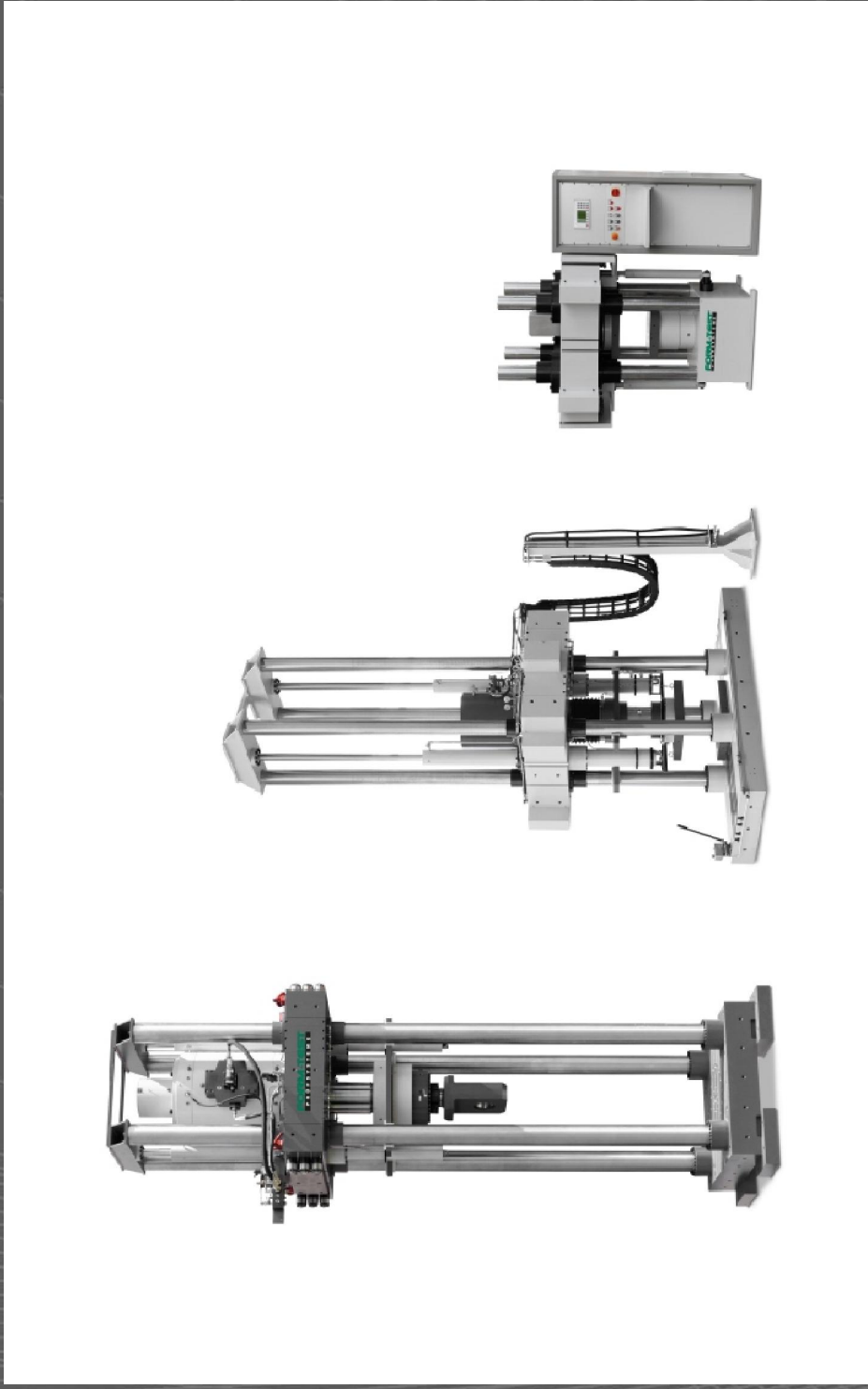
FORM+TEST[®]
PRÜFSYSTEME



3.1 Some Examples



3.1 Some Examples



4) Questions and other points

Servo-hydraulic test systems

Intelligent solutions
for universal testing
equipment

FORM+TEST[®]
P R Ü F S Y S T E M E

FORM + TEST Seidner&Co. GmbH
Zwiefalter Straße 20
P.O. Box 1154
D - 88491 Riedlingen

Phone +49 7371 9302-0
Fax +49 7371 9302-99

info@formtest.de
www.formtest.de



Deutsche
Akkreditierungsstelle
D-K-17246-01-01
D-K-17246-01-02



**made
in
Germany**

